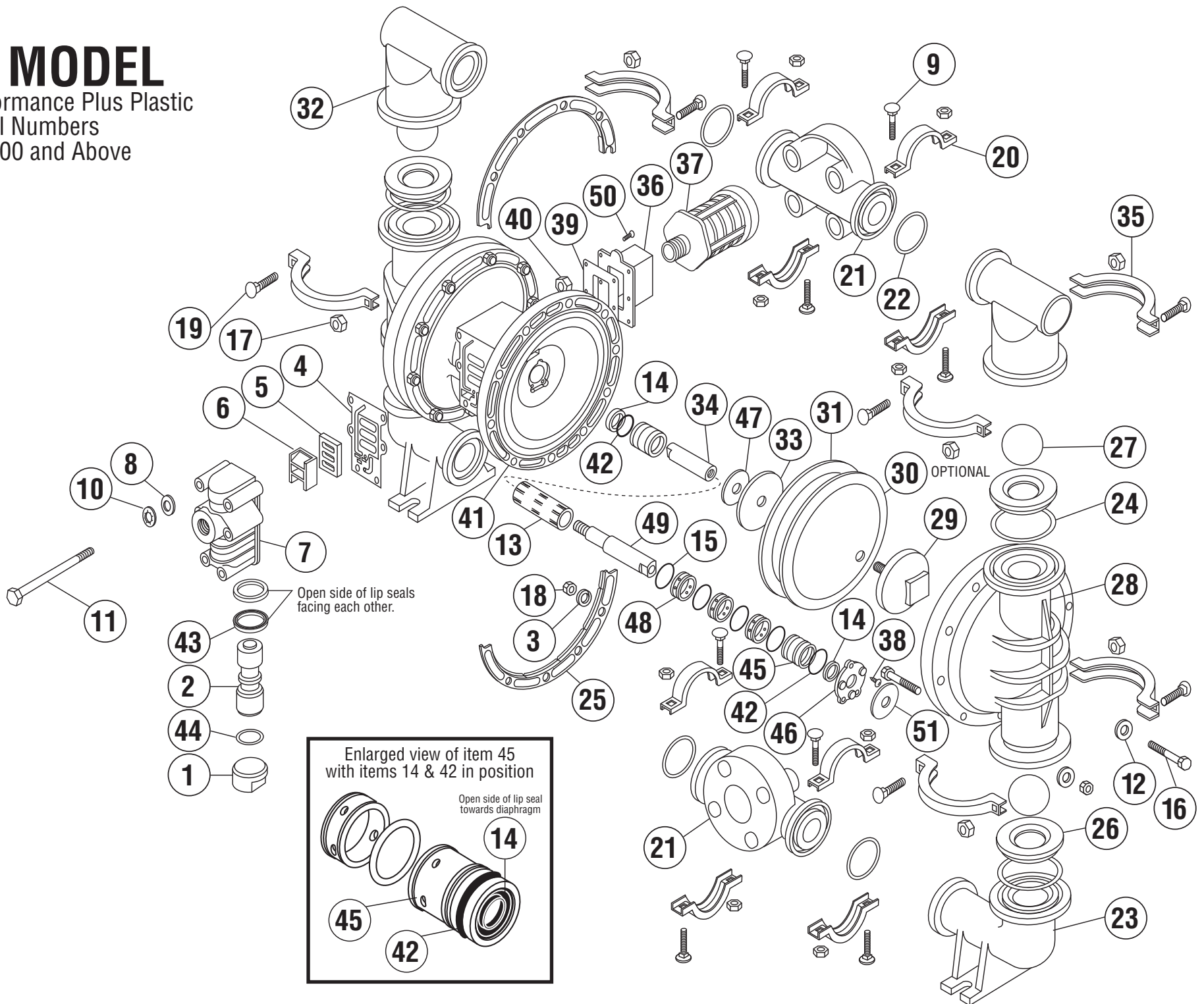


2" MODEL

Performance Plus Plastic
Serial Numbers
143700 and Above



2" PERFORMANCE PLUS PLASTIC MODELS

JANUARY 2008

ITEM	DESCRIPTION	QTY PER PUMP	PUMP MODELS	PART NUMBER	MATERIAL
1	AIR VALVE END PLUG	1	ALL MODELS	11703-60	POLYPRO
2	AIR VALVE SPOOL	1	ALL MODELS	10481-31	ACETAL
3	COMPRESSION WASHER	20	ALL MODELS	12319-26	SS
4	AIR VALVE GASKET	1	ALL MODELS	12121-19	NITRILE
5	SHUTTLE PLATE	1	ALL MODELS	10450-77	CERAMIC
6	SHUTTLE	1	ALL MODELS	10430-00	SPECIAL
7	AIR VALVE BODY	1	ALL MODELS	11617-60	POLYPRO
8	FLAT WASHER	6	ALL MODELS	12300-26	SS
9	CARR. BOLT (5/16" X 1-1/2")	8	ALL MODELS	12509-26	SS
10	LOCK WASHER (1/4")	6	ALL MODELS	12350-26	SS
11	CAP SCREW (1/4" X 6")	6	ALL MODELS	12515-26	SS
12	FLAT WASHER	20	ALL MODELS	12306-26	SS
13	PILOT SLEEVE	1	ALL MODELS	10106-31	ACETAL
14	LIP SEAL (Diaphragm Rod)	2	ALL MODELS	12002-76	NITRILE
15	O-RING (Pilot Sleeve)	4	ALL MODELS	11919-16	URETHANE
16	CAP SCREW (1/2" X 3 1/4")	20	ALL MODELS	12555-26	SS
17	HEX NUT (5/16" - 18)	16	ALL MODELS	12601-26	SS
18	HEX NUT (1/2" - 13)	20	ALL MODELS	12604-26	SS
19	CARRIAGE BOLT (5/16" X 2")	8	ALL MODELS	12529-26	SS
20	CLAMP, MANIFOLD (Complete With Fasteners)	4	ALL MODELS	12901-26	SS
21	MANIFOLD	2	PB, PE, PT KE, KT	10580-40 10580-56	POLYPRO PVDF
22	O-RING (Manifold)	4	PB PT, KT KE, PE	11922-11 11922-17 11922-15	NITRILE PTFE EPDM
23	SUCTION ELBOW	2	PB, PE, PT KE, KT	10802-40 10802-56	POLYPRO PVDF
24	O-RING (Valve Seat)	4	PB PT, KT PE, KE	11926-11 11926-17 11926-15	NITRILE PTFE EPDM
25	POWER RING (Set)	2	ALL MODELS	12812-26SET	SS
26	VALVE SEAT	4	PB, PE, PT KE, KT OPT ALL MODELS	10918-40 10918-56 10918-26	POLYPRO PVDF SS
27	BALL BALL, HEAVY WEIGHT	4 OPT OPT	PB PT, KT PE, KE HIGH VISCOSITY ALL MODELS	11004-11 11004-45 11004-23 11004-22 11004-26	GEOLAST PTFE SANTO NITRILE SS
28	OUTER CHAMBER	2	PB, PE, PT KE, KT	10724-40 10724-56	POLYPRO PVDF
29	OUTER DIAPHRAGM PLATE	2	PB, PE, PT KE, KT	11203-40 11203-56	POLYPRO PVDF

ITEM	DESCRIPTION	QTY PER PUMP	PUMP MODELS	PART NUMBER	MATERIAL
30	OVERLAY	2	PT, KT	11403-59	PTFE
31	DIAPHRAGM	2	PB ALL OTHERS	10603-19 10603-23	GEOLAST SANTO
32	DISCHARGE ELBOW	2	PB, PE, PT KE, KT	11305-40 11305-56	POLYPRO PVDF
33	INNER DIAPHRAGM PLATE	2	ALL MODELS	11103-25	PS
34	DIAPHRAGM ROD (Short)	1	ALL MODELS	*	SS
35	CLAMPS, ELBOW (Complete With Fasteners)	4	ALL MODELS	12905-26	SS
36	MUFFLER PLATE	1	ALL MODELS	13107-60	POLYPRO
37	EXTERNAL MUFFLER	1	ALL MODELS	13001-00	SPECIAL
38	SCREW (#6 X 3/4")	6	ALL MODELS	12549-26	SS
39	GASKET (Muffler Plate)	1	ALL MODELS	12108-11	NITRILE
40	HEX NUT (1/4" - 20)	6	ALL MODELS	12600-26	SS
41	INTERMEDIATE	1	ALL MODELS	11524-60	POLYPRO
42	O-RING (End Spacer)	2	ALL MODELS	11919-11	NITRILE
43	LIP SEAL (Air Valve)	2	ALL MODELS	12003-76	NITRILE
44	O-RING (Valve Plug)	1	ALL MODELS	11913-11	NITRILE
45	END SPACER (Pilot sleeve)	2	ALL MODELS	10206-40	POLYPRO
46	RETAINING PLATE	2	ALL MODELS	12709-54	NYLON
47	FLAT WASHER	2	ALL MODELS	12315-25	PS
48	INNER SPACER (Pilot Sleeve)	3	ALL MODELS	10205-40	POLYPRO
49	DIAPHRAGM ROD (Long)	1	ALL MODELS	*	SS
50	SCREW (#8 X 3/4")	6	ALL MODELS	12540-26	SS
51	BUMPER	2	ALL MODELS	12317-16	URETHANE

*** DIAPHRAGM ROD AVAILABLE ONLY AS AN ASSEMBLY**

DIAPHRAGM ROD ASSEMBLY	1	ALL MODELS	35000-00	SS
Includes items 34 & 49				

OPTIONAL ASSEMBLIES AVAILABLE

AIR VALVE ASSEMBLY	1	ALL MODELS	47000-60	VARIOUS
Includes items 1 thru 7, 43, 44				
PILOT SLEEVE ASSEMBLY	1	ALL MODELS	46000-00	VARIOUS
Includes items 13, 14, 15, 42, 45, 48				
REPAIR KITS - WET END				
Includes items 22, 24, 26, 27, 31 & (30 - Used in pumps built w/ PTFE)				
To order a wet end repair kit, add "KIT" to the pump model. e.g. NC-20 KIT				

NOTES:

1. PS = PLATED STEEL, SS = STAINLESS STEEL