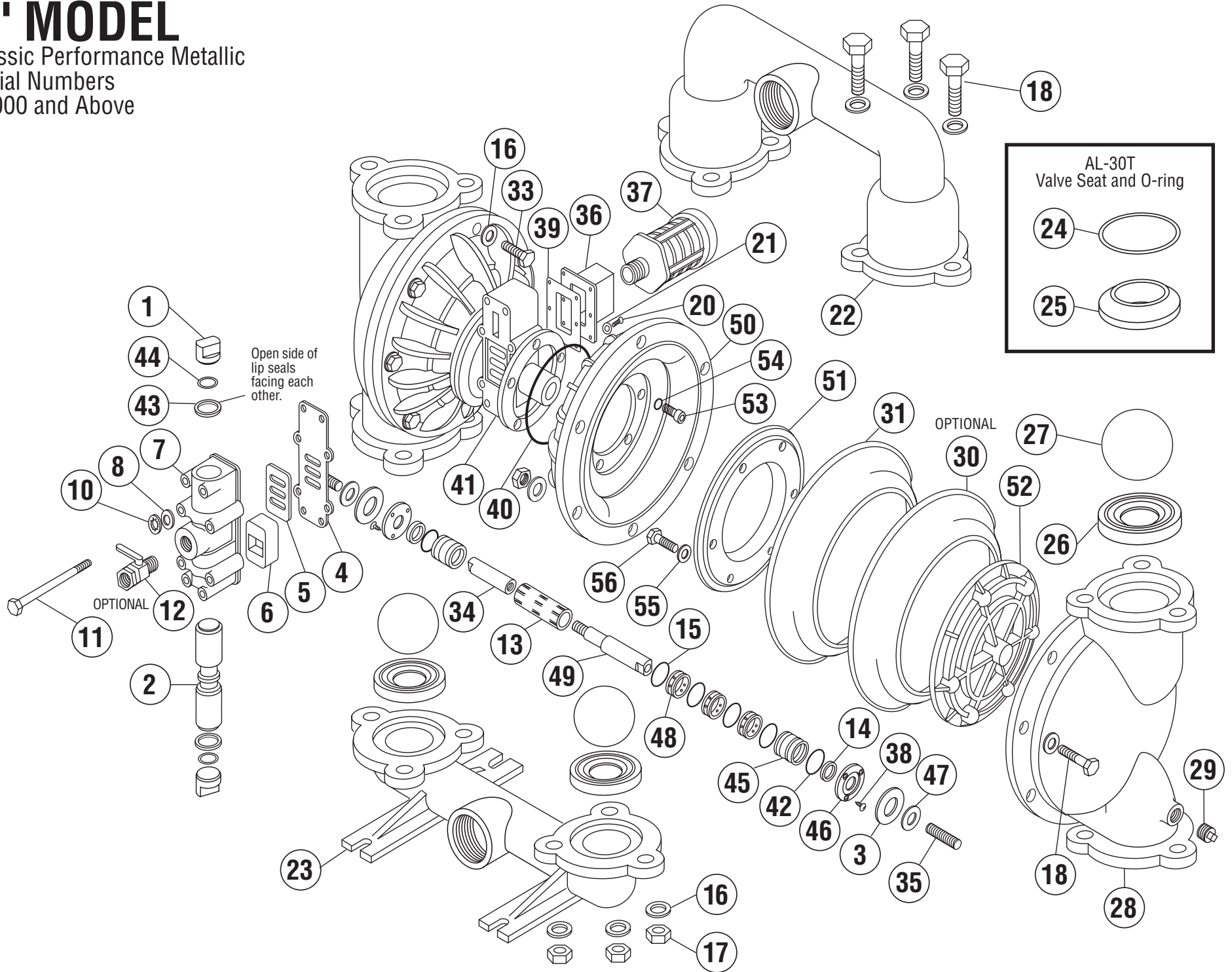


3" MODEL

Classic Performance Metallic
Serial Numbers
96000 and Above



3" CLASSIC PERFORMANCE METALLIC MODELS

JANUARY 2008

ITEM	DESCRIPTION	Qty per pump	MODEL	PART NO.	MATERIAL
1	AIR VALVE END PLUG	2	ALL 3"	11703-60	POLYPRO
2	AIR VALVE SPOOL	1	ALL 3"	10412-31	ACETAL
3	BUMPER	2	ALL3"	12309-16	URETHANE
4	GASKET	1	ALL 3"	12115-19	NITRILE
5	SHUTTLE PLATE	1	ALL 3"	10414-26	SS
6	SHUTTLE	1	ALL 3"	10413-32	SPECIAL
7	AIR VALVE BODY	1	ALL 3"	11613-60	POLYPRO
8	FLAT WASHER	8	ALL 3"	12300-26	SS
10	LOCK WASHER (1/4")	8	ALL 3"	12350-26	SS
11	CAP SCREW	8	ALL 3"	12516-26	SS
12	AIR FLOW CONTROL VALVE (Optional)	1	ALL 3"	13401-51	PVC
13	PILOT SLEEVE	1	ALL 3"	10106-31	ACETAL
14	LIP SEAL (DIAPHRAGM ROD)	2	ALL 3"	12002-76	NITRILE
15	O-RING (PILOT SLEEVE SPACER)	4	ALL 3"	11919-16	URETHANE
16	FLAT WASHER	52	ALL 3"	12306-26	SS
17	HEX NUT (1/2" - 13)	24	ALL 3"	12604-26	SS
18	HEX BOLT (1/2" X 2-1/2")	24	ALL 3"	12522-26	SS
20	TAPPING SCREW (#8 X 1")	6	ALL 3"	12531-26	SS
21	WASHER #8	6	ALL 3"	12311-26	SS
22	DISCHARGE MANIFOLD (NPT)	1	ALL 3"	10551-20	AL
	DISCHARGE MANIFOLD (BSP)	1	ALL 3"	10552-20	AL
23	SUCTION MANIFOLD (NPT)	1	ALL 3"	10548-20	AL
	SUCTION MANIFOLD (BSP)	1	ALL 3"	10549-20	AL
24	O-RING, VALVE SEAT	4	AL-T	11934-17	PTFE
		OPT	AL	11934-11	NITRILE
		OPT	AL-V	11934-13	VITON
		OPT	AL-E	11934-15	EPDM
25	VALVE SEAT	4	AL-T	10905-42	NYLON
		OPT	ALL 3"	10905-20	AL
26	VALVE SEAT	4	AL-E	10905-15	EPDM
			AL	10905-19	NITRILE
			AL-V	10905-13	VITON
27	BALL	4	AL	11007-11	GEOLAST
			AL-E	11007-23	SANTOPRENE
			AL-T	11007-45	PTFE
			AL-V	11007-13	VITON
28	OUTER CHAMBER	2	ALL 3"	10719-20	AL
29	PIPE PLUG (1/4" NPT)	2	ALL 3"	12205-42	NYLON
30	OVERLAY	2	AL-T	11407-59	PTFE
31	DIAPHRAGM	2	AL, AL-T	10608-16	URETHANE
			AL-E	10608-23	SANTOPRENE
			AL-V	10608-13	VITON
33	HEX BOLT (1/2" X 1-1/2")	4	ALL 3"	12538-26	SS

ITEM	DESCRIPTION	Qty per pump	MODEL	PART NO.	MATERIAL
34	DIAPHRAGM ROD (Short)	1	ALL 3"	*	SS
35	STUD (5/8 X 2-1/4")	2	ALL 3"	12533-25	PS
36	MUFFLER PLATE	1	ALL 3"	13107-60	POLYPRO
37	EXTERNAL MUFFLER	1	ALL 3"	13001-00	SPECIAL
38	SCREW (#6 x 3/4")	6	ALL 3"	12550-26	SS
39	GASKET (MUFFLER PLATE)	1	ALL 3"	12108-11	NITRILE
40	O-RING	2	ALL 3"	11941-11	NITRILE
41	INTERMEDIATE	1	ALL 3"	11520-20	AL
42	O-RING (END SPACER)	2	ALL 3"	11919-11	NITRILE
43	LIP SEAL (AIR VALVE)	2	ALL 3"	12003-76	NITRILE
44	O-RING (VALVE END PLUG)	2	ALL 3"	11913-11	NITRILE
45	END SPACER (Pilot Sleeve)	2	ALL 3"	10206-40	POLYPRO
46	RETAINING PLATE	2	ALL 3"	12712-20	AL
47	WASHER	2	ALL 3"	12312-25	PS
48	INNER SPACER (Pilot Sleeve)	3	ALL 3"	10205-40	POLYPRO
49	DIAPHRAGM ROD (Long)	1	ALL 3"	*	SS
50	INNER CHAMBER	2	ALL 3"	11802-20	AL
51	INNER PLATE	2	ALL 3"	11107-20	AL
52	OUTER PLATE	2	ALL 3"	11213-20	AL
53	SOCKET BOLT	10	ALL 3"	12535-26	SS
54	O-RING	10	ALL 3"	11932-11	NITRILE
55	FLAT WASHER	12	ALL 3"	12303-25	PS
56	HEX BOLT	12	ALL 3"	12534-25	PS

*** DIAPHRAGM ROD AVAILABLE ONLY AS AN ASSEMBLY**

DIAPHRAGM ROD ASSEMBLY Items 34 and 49	1	ALL 3"	35000-00	SS
---	---	--------	----------	----

OPTIONAL ASSEMBLIES

AIR VALVE ASSEMBLY Items 1,2,4,5,6,7,43,44	1	ALL 3"	50000-60	POLYPRO
---	---	--------	----------	---------

PILOT SLEEVE ASSEMBLY Items 13,14,15,42,45,48	1	ALL 3"	46000-00	VARIOUS
--	---	--------	----------	---------

REPAIR KITS - WET END Includes items 26, 27, 31 & (30 optional) Model AL-T Repair Kit includes items 24, 25, 27, 31 & (30 - Used in pumps built w/ PTFE) To order a wet end repair kit, add "KIT" to the pump model. e.g. AL-30T KIT				
---	--	--	--	--

NOTE:

1. PS = Plated Steel, SS = Stainless Steel, AL = ALUMINUM
2. Pumps with special finish should reorder same parts with special finish:
EXAMPLE: OUTER CHAMBER: 10719-20 F16 (Hard Coat Anodized Finish)